

Outdoor Rugged IR PTZ Camera



017-068-046



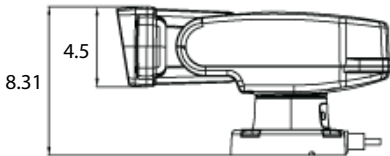
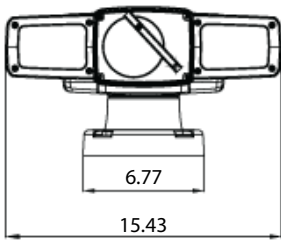
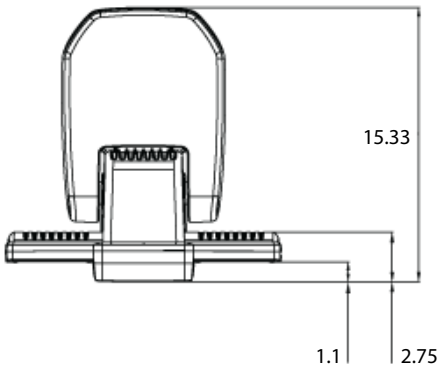
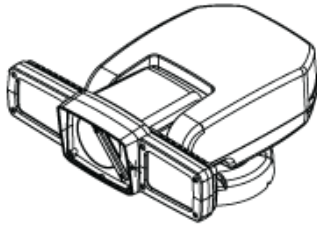
Features

- 1/4" 613K pixels SONY Super HAD dual scan CCD
- 700TV Lines in HR7 mode
- Progressive scan 612,688 pixel
- 36x Optical Zoom and 32x Digital Zoom
- Dual scan 512x WDR
- Intelligent Object Detection
- Traffic Control PIP Dual Camera System
- Light distance : 200m (manual focusing)
- 100 Step Smart IR Control
- Endless Pan rotation (180 ° Tilt angle)
- Up to 63 programmable preset
- less than $\pm 0.1^\circ$ Preset Accuracy
- 8 programmable Tour, 4 Pattern
- Alarm - Move the Camera to Programmed Preset Position with Alarm Trigger (Max. 2)
- 4 Scan(Programmable speed and diagonal scan)
- Programmable Privacy Masking(2 Zones)
- RS-422, RS-485 communication
- Multiple protocol (Pelco-D, Pelco-P)
- Built-in OSD Menu

Specifications

MODEL	017-068-046	
Image Sensor	1/4" SONY Super HAD II(Double Scan) CCD	
Total Pixels	1028(H) × 508(V)	1028(H) × 596(V)
Scanning system	Interlace	
Scanning Frequency	15.734KHz(H),59.94Hz(V)	15.625KHz(H),50Hz(V)
Sync. System	Internal	
Resolution	700 TV lines (COLOR)	
	800 TV lines (BW)	
Min. illumination	Color : 0.5 lux , BW : 0.2 lux Color DSS : 0.001 lux , BW DSS : 0.0004 lux	
Video Output	1.0 Vp-p (75 ohm, composite)	
S/N Ratio	More than 50dB (AGC off)	
Lens type	36x Day & Night Zoom Lens	
Zoom Ratio	Optical 36x, Digital 32x Zoom	
Focal Length	f = 3.4 mm ~ 122.4 mm	
Aperture Ratio	F1.6 (wide) ~ F4.5 (tele)	
Focus	Auto / Zoom-Trig / Manual	
E. Zoom	Off / Max 2x~32x	
Exposure	Auto / Shutter PRI / Manual	
Gain Control	Off / On (Auo Max 30dB)	
Shutter Speed	1/60 ~ 1/100,000 sec	1/50 ~ 1/100,000 sec
WDR / BLC	Off / WDR / BLC	
Day&Night	Auto / Sens-in / Ext / Day / Night	
White Balance	ATW / One-Push / Indoor / Outdoor / Manual / Auto	
Image DNR	Off / Manual / Auto	
Intelligent	Privacy / MD / OD	
Privacy Mask	Off / 8 positions	
Motion Detection	Off / 3 positions	
Object Detection	Off / On	
Phase	0 ~ 255 steps	
Comm	Baud Rate : 2400 / 4800 / 9600 / 19200 / 38400	
	Protocol : Pelco-D / Pelco- P / VISCA	

Drawings



(Units : in.)

Specifications

MECHANICAL		
Pan	Angle	360° Continuous pan
	Manual Speed	0.1° to 90°/sec (64 step proportional to zoom)
	Preset Speed	150°/sec, ±0.1° Accuracy
Tilt	Angle	180°(±90°)
	Manual Speed	0.1° to 90°/sec (64 step proportional to zoom)
	Preset Speed	150°/sec, ±0.1° Accuracy
Dimensions	392.01 (W) x 211.19 (H) x 389.45 (D)	
Weight	less then 12.5Kg	
Motor	Holding Torque	13.5Kgf/cm, 1.35N.m
	Step Angle	1.8° Deg.
	Winding Type	Bipola
ENVIRONMENTAL		
Ingress Protection	IP66	
Construction	Aluminum	
Temperature	Operating	-20°C to 50°C
	Storage Temp	-20°C to 60°C
Temperature	Fan	-10°C to 40°C (4 step control)
	Heater	-10°C to 0°C (4 step control)
Operating Control	Humidity	50% to 90% (4 step control)
COMMUNICATION		
PTZ Control	Method	RS-422(4 wire), RS-485(2 wire)
ELECTRICAL		
Power	Voltage	DC11.5V ~ DC30V, AC15 ~ DC30V(60HZ), Dual Power
	Current	DC15V,8A / AC24V,5A
	Heater / Fan	10W, 3.4W
VIDEO		
Camera	Main Zoom Camera	From Sony or Samsung Techwin
	Sub Camera	Board Camera, Color 410K
Video Output	Output	2 Port, Main + Sub(PIP), Sub Only, *PIP(4 Position)
IR ILLUMINATION		
IR LED	Length	200m (Manual Focusing)
	Power	OSRAM 870n, 1W, 30EA